

## BV-8XXSD-P

**Color High Speed Dome Camera with 216X (~300x) Zoom  
Equipped with Sony Series CCD For Very Ideal Surveillance Application**

### Main Features

- Quick install design - Cuts installation time in half
- 480 TV lines horizontal resolution
- 360 degrees rotation with 300 degrees pan per second
- Privacy Zone for masking function
- 216X zoom function get farther viewing object  
(For BV-830/850/860 models)
- 300X zoom function get farther viewing object  
(For BV-880 model)
- Mini. Illumination for different model reach 1.5 lux ~ 0.01lux
- Equipped slip-ring for video signal transfer
- 50dB Signal-To-Noise ratio
- 64 positions can be preset simply
- On-Screen-Display for easy camera set-up
- Auto-Flip
- Proportional zoom
- Image Stabilizer (for BV-880 only)
- Compatible with several brands' system
- Can be built in 7 types of protocol  
(Selected by DIP SW simply)
- Pattern Tour : 4 sets



### Model : BV-PT800 Remote Control Keyboard



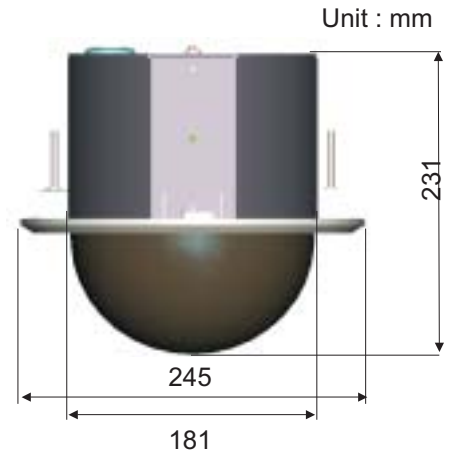
Electrical	
Input voltage	12VAC / 12 VDC
Power Consumption	2.5W
Key Board Connector	RS485 / RS422 : RJ45, 8pin, modular (female) RS232 : DSUB9 / 9pin (female)
Key board Communication	Direct mode Interface : RS-485 & RS-422 & RS232 Protocol : Pelco P Baud : 4800 Parameters : 8 data bits, no parity, 1 stop bit
LED display	7-segment display, 3 cells
General	
Keyboard Keypad	Mechanical
Joystick	2-axis, vector-solving, return-to-center
Dimension	245mm x 175mm x 55mm
Unit weight	1.1 KGS
Environment	
Temperature	-10°C to 50°C
Storage Temperature	-20°C to 60°C
Humidity	10-90% non-condensing
Accessory	
Cable	3.5 m, RJ-45 data cable
AC Adaptor	Input 90~260 V , Output DC 12V 1A

- Available connection by RS422, RS232 & RS485
- Available protocol on PELCO-P

# Housing

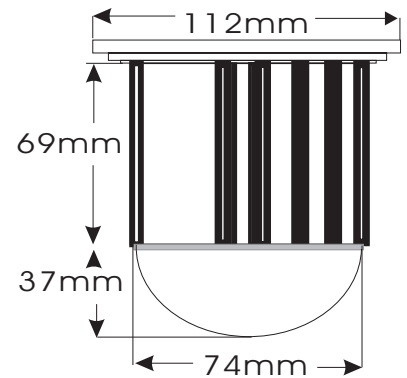
## Model No. HS-801

- For use indoor environment
- For use in-ceiling application



## Model No. HS-802

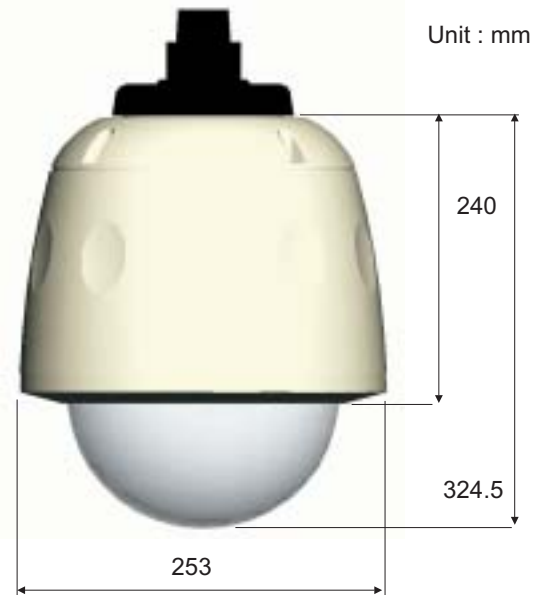
- For use indoor environment
- For use in-ceiling application



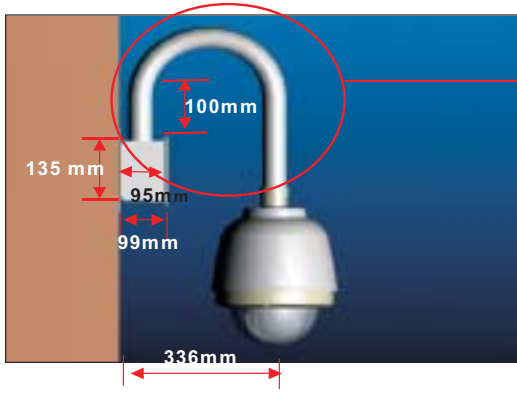
## Model No. HS-803

- For use outdoor environment
- For use wall or roof mount

Electrical	
Voltage	24 VAC, 50/60 Hz
Power	26 watts at 24VAC(accessories)
Mechanical	
Housing Color	cool gray
Height	324.5mm
Diameter	φ 253 mm
Cover Color	smoked
Weight	2.9 KGS
Surge Protection	Yes
Connectors	
Video Output	Female BNC
Control / power	Terminal block
Weatherproof Standard	IP66
Operating Temperature	-20°C to 50°C
Heater Operating	Activates at 4°C (+/- 5°C),deactivates at 16°C(+/- 5°C)
Humidity	0 to 95% RH
Storage Temperature	-40°C to 60°C

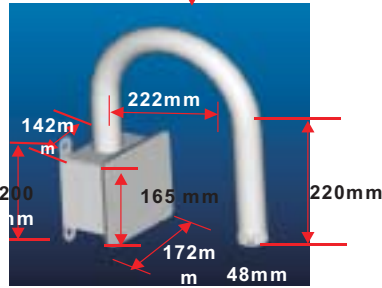


# Accessories for HS-803 Outdoor Housing



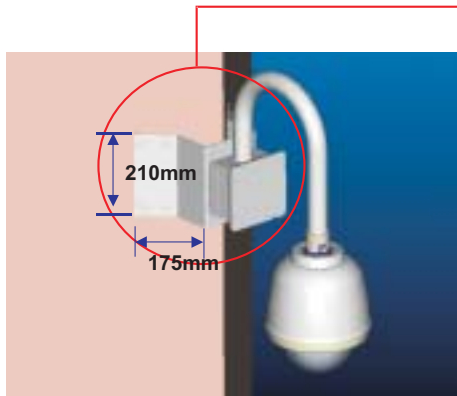
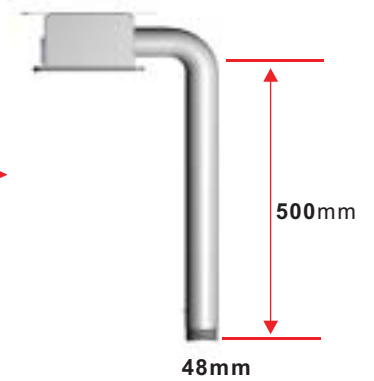
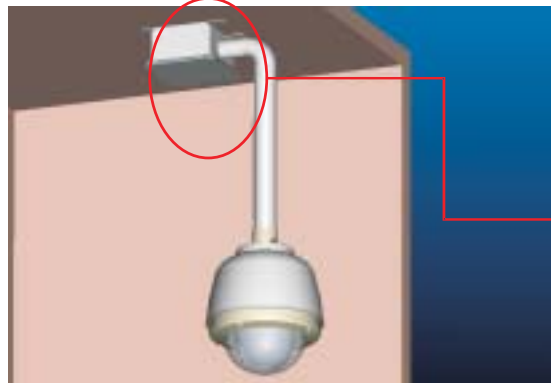
Model No. HSB8031

Wall Mount



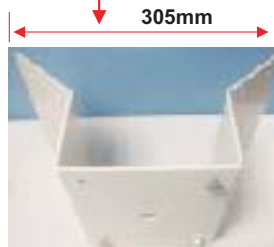
Model No. HSB8032

Ceiling Mount



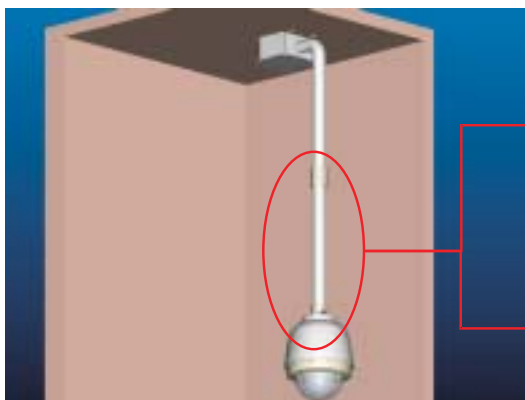
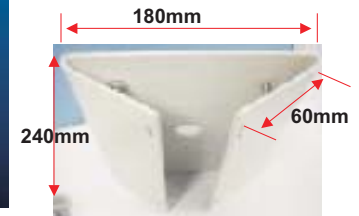
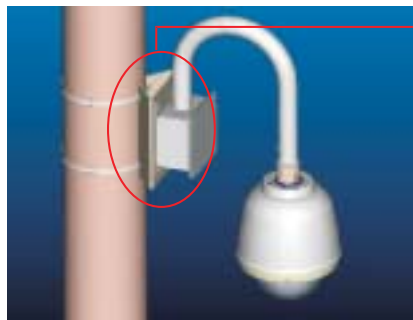
Model No. HSB8033

Corner Mount



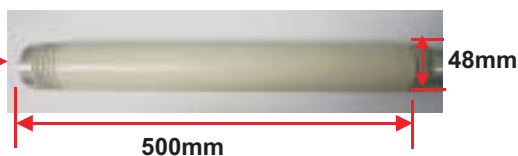
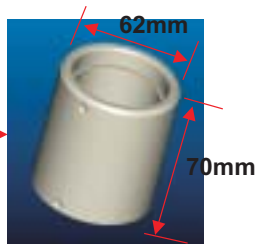
Model No. HSB8034

Pole Mount



Model No. HSB8035

Optional Bracket



# Specification

MODEL NO.	BV-830SD	BV860SD	BV-880SD
<b>Overall</b>			
Temperature of operation	0°C to 50°C ( 32°F to 122°F )		
Preservation temperature	-20°C to 60°C ( -4°F to 140°F )		
Weight	1.75 kgs		
Power supply	AC24V +/- 10%, 50Hz		
Power consumption	20W		
<b>Camera</b>			
Image sensor	1/4" Type IT CCD (High Sensitive CCD)	1/6" Type IT CCD (High Sensitive CCD)	
Number of effective pixels	752 (H) x 582 (V)		
Lens	18x Zoom f=4.1-73.8mm (F1.4~3.0)	25x Zoom f=2.4-60mm (F1.6~2.7)	
Digital Zoom	12x (216x with optical zoom)		12x (300x with optical zoom)
Image Stabilizer	---	---	Provided
Angle of View (H)	Approx. 48degree ( wide limit ) Approx. 2.7degree ( tele limit )		
Sync system	Internal / Line lock (AC Line lock phase adjustable )		
Min. Illumination	1.5 Lux (F1.4, normal shutter speed)	0.7 Lux (F1.4, 1/50s) 0.01 Lux (F1.4, 1/4s, IR Cut off)	3.0 Lux (F1.4, 1/50s) 0.08 Lux (F1.4, 1/4s, IR Cut off)
S/N Ratio	50dB		49dB
Resolution	480 TV lines		
Electronic Shutter	Auto Manual : 16 Steps	Auto : 1/1 ~ 1/10000 Sec. Manual : 22 Steps	
White balance	Auto (3000°K - 7500°K), ATW (2000°K - 10000°K), One Push WB		
Gain	Auto		
AE Compensation	Auto, Manual, Backlight Compensation		
EV Compensation	-10.5dB ~ 10.5dB (15 Steps)		
Back Light Compensation	On/Off		
Auto Slow Shutter	---	On / Off (On : Max 1.4 Sec.)	
Focusing System	Auto (Sensitivity : Nor, L)		
Day / Night (IR Cut Filter Remote)	---	Off / Auto	Off / Auto
Video Output	PAL, VBS : 1.0Vp-p (Sync Negative), 75ohm		
Focus	Auto / Manual		
Preset	64 points		
Privacy Zone	Available for masking function ( 8 Areas)		
OSD	Camera function set up		
Alarm Port	4 inputs / 1 output		
<b>MECHANICAL</b>			
Pan Range	360° Continuous		
Tilt Range	92°		
Manual Pan Speeds	0.1° ~ 90° / Sec (0.1° / Sec. (Digital Zoom Max), 0.4° / Sec. (Optical Zoom Max)		
Manual Pan Speeds (Turbo)	150° / Sec		
Manual Tilt Speeds	0.1° ~ 45° / Sec. 0.1° / Sec. (Digital Zoom Max), 0.4° / Sec. (Optical Zoom Max)		
Preset Speeds	Pan : 300° / Sec., Tilt : 200° / Sec.		
Proportional P/T	Provided		
<b>Remote Control</b>			
Stop Time	1~9 Sec (90° / Sec), 10~120 Sec (300° / Sec)		
Pattern Tour	4 Groups ( 6 Min per group)		
Interface	RS485		
Protocol Support	Pelco-P / Pelco-D / VCL / Kalatel / Vicon / LiLin / Ernitec (DIP-SW selectable)		

\*\*\* Design and specifications are subject to change without notice \*\*\*

